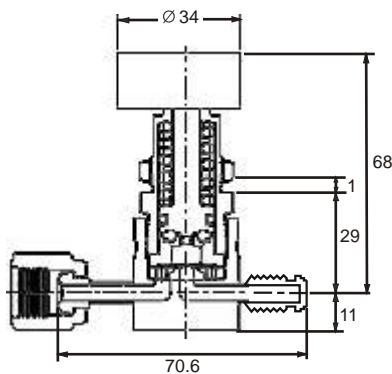


Accessories for MFC

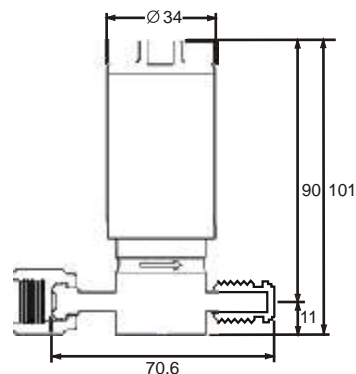
Isolation Valves, Gas Filters and Connectors

Isolation Valves

- Diaphragm valve, stainless steel 316L, electropolished, (Ra (Ave) 0.2 μm)
- Leak rate against atmosphere and across the seat: = 1 x 10⁻⁹ mbar l/s
- All-metal sealing against atmosphere, PCTFE-seat
- Pressure range: Vacuum to 10 bar (150 psi)
- Low dead volume
- 2 versions: pneumatically or manually actuated



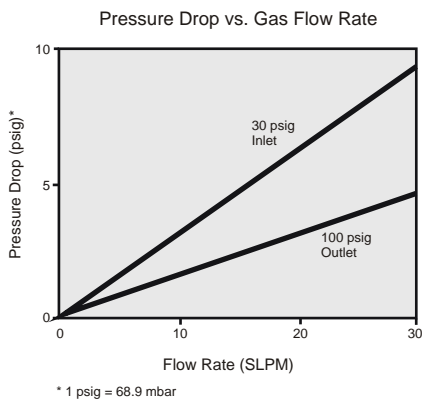
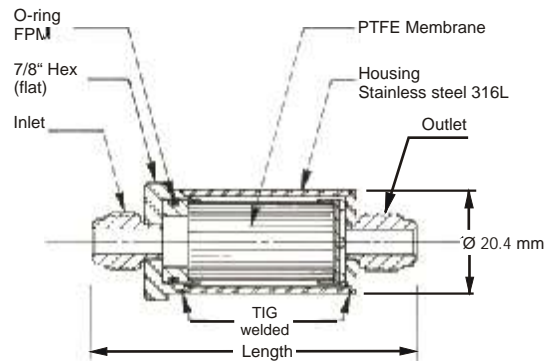
Dimensions in mm



Order code	Operation	Ports	
		Inlet	Outlet
MGAV-V14	Manually (hand knob)	1/4" VCR-compatible female	1/4" VCR-compatible male
MGAV-S14			1/4" Swagelok-compatible
MGAV-S06			6 mm Swagelok-compatible
PGAV-V14	Pneumatically, normally closed (NC), air supply: 4 - 6 bar	1/4" VCR-compatible female	1/4" VCR-compatible male
PGAV-S14			1/4" Swagelok-compatible
PGAV-S06			6 mm Swagelok-compatible

Gas Filters

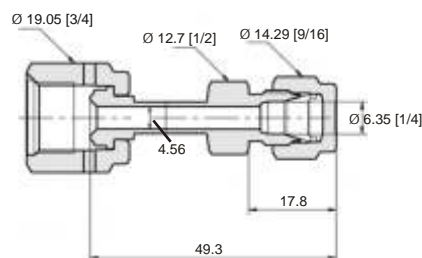
- Gas permeability < 1 ppb for particles 0.003 μm
- Two layers of PTFE membrane, 19.75 cm² surface area
- Housing: 316L stainless steel, electropolished
- Operating pressure: max. 206 bar (3,000 psig) at max. 121 °C (250 F)
- Leak rate (Helium leak tested): = 10⁻⁹ mbar l/s
- Flow rate: up to 30 l/min



Order code	Inlet	Outlet	Length mm
GF-915MFCP	1/4" VCR-compatible male	9/16-18 UNF with O-ring	79.0
GF-915	1/4" VCR-compatible male	1/4" VCR-compatible male	84.1

Swivel Face Seal Connectors

VCR14FSWA14	Connector, stainless steel 1/4" VCR-compatible female to 1/4" Swagelok-compatible
VCR14FSWA6	Connector, stainless steel 1/4" VCR-compatible female to 6 mm Swagelok-compatible



Dimensions in mm [inch]

VACOM
Vakuum Komponenten & Messtechnik GmbH
 Gabelsbergerstrasse 9 ■ 07749 Jena ■ Germany
 Tel. +49(0)3641 4275-0 ■ Fax +49(0)3641 4275-24
 info@vacom.de ■ www.vacom.de

